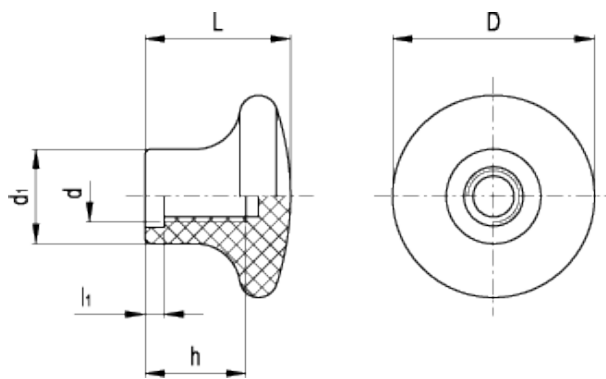


I.150

Handles



technical informations

Material

Phenolic based (PF) Duroplast. Resistant to solvents, oils, greases and other chemical agents.

Colour

Black, glossy finish.

Assembly

Tapped blind hole.

Standard Elements		Main dimensions			Mounting hole			Weight
Code	Description	D	L	d ₁	d	h	l ₁	g
20201	I.150/25-M5	25	19	12	M5	10	3	6
20202	I.150/25-M6	25	19	12	M6	10	3	5
20211	I.150/30-M6	32	23	15	M6	16	3	13
20212	I.150/30-M8	32	23	15	M8	19	3	12



ELESA and GANTER models all rights reserved in accordance with the law. Always mention the source when reproducing our drawings.

STANDARD MACHINE ELEMENTS WORLDWIDE